

D6P_A3E-WT 210W - 240W

About DelSolar

Founded in 1971, the Delta Group is a global leader in power management and renewable energy solutions. DelSolar, as a subsidiary of Delta Group, has become a leading solar cell and module provider with proven process innovation, state-of-the-art manufacturing technology, world-class cell efficiency, and record productivity yields since its inception in 2004.



High Performance

- Power tolerance of 0 to +3% provides a stable, high-energy system output
- High PV cell shunt resistance increases power output under low light conditions
- Low temperature coefficients of power enable high power output under all weather conditions
- High-efficiency solar cells and state-of-art manufacturing technology lead to cost efficacy per kWh
- High wind/snow load tolerant

Reliability & Certifications

- 25-year limited warranty on power output & 5-year product warranty
- 25-year performance warranty
 - 10 years: 90% minimum performance
 - 25 years: 80% minimum performance
- IEC 61215, IEC 61730, UL1703
- Compliant with the Buy American Act

Section 25.402 of Federal Acquisition Circular (FAC) 2005-33, dated June 15, 2009, provides that eligible products from the World Trade Organization Government Procurement Agreement (WTO-GPA) countries are entitled to waiver of "the Buy American Act and other discriminatory provisions" for construction contracts over \$7.44 million and supply contracts over \$194,000. Taiwan is a signatory to the WTO-GPA and subject to the said FAC requirements, Taiwanese products are compliant with Section 1605 of the American Reconstruction and Reinvestment Act (ARRA).

- California Energy Commission listed



Contact DelSolar

sales@delsolarpv.com
solar.sales@delta-corp.com

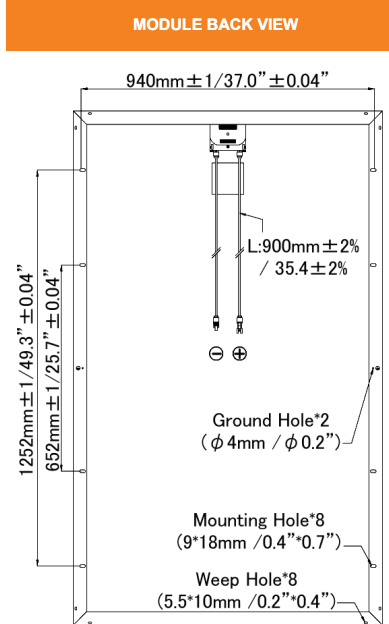
Worldwide Headquarters

DelSolar Co., Ltd.
No. 2 R&D 2nd Road, Science-Based Industrial Park,
Hsinchu, Taiwan 30076
Tel +886-3-578-1999
www.delsolarpv.com

US contact

Delta Products Corp.
4405 Cushing Parkway Fremont, CA 94538
Tel +1-888-880-8868
www.deltaww.com

MODULE FRONT VIEW	MODEL	D6P210A3E	D6P215A3E	D6P220A3E	D6P225A3E	D6P230A3E	D6P235A3E	D6P240A3E	
	Maximum Rating Power (P_{max})	210 W	215 W	220 W	225 W	230 W	235 W	240 W	
	** PV USA test condition rating (PTC)	187.1 W	191.6 W	196.2 W	200.8 W	205.4 W	210.0 W	214.6 W	
	Open Circuit Voltage (V_{oc})	36.60 V	36.72 V	36.90 V	37.08 V	37.20 V	37.46 V	37.73 V	
	Maximum Power Voltage (V_{pm})	28.72 V	28.86 V	29.20 V	29.34 V	29.49 V	29.46 V	29.71 V	
	Short Circuit Current (I_{sc})	7.93 A	8.00 A	8.13 A	8.27 A	8.39 A	8.53 A	8.60 A	
	Maximum Power Current (I_{pm})	7.32 A	7.45 A	7.54 A	7.67 A	7.80 A	7.98 A	8.08 A	
	Module Efficiency	13.0 %	13.4 %	13.6 %	14.0 %	14.3 %	14.6 %	14.9 %	
	Dimension	1626 mm (L) x 990 mm (W) x 38.1 mm (D) / 64" (L) x 39" (W) x 1.5" (D)							
	Weight	20 kg / 44.09 lbs							
	Solar Cells	60 multicrystalline 6" silicon cells (156 x 156 mm)							
Mechanical Load	5400 Pa								
Maximum System Voltage	IEC: DC 1000 V / UL: DC 600 V								
Series Fuse Rating	15 A								
Operating Temperature	-40 to 90 °C								
Nominal Operating Cell Temperature	45.6 °C								
Temperature Coefficient of P_{max}	-0.4883 %/°C								
Temperature Coefficient of V_{oc}	-0.3552 %/°C								
Temperature Coefficient of I_{sc}	0.0577 %/°C								



* Electrical data under Standard Test Conditions (STC): 25 °C, 1000 W / m², AM 1.5
 * Values w/o tolerance are typical numbers
 ** PV USA test condition rating (PTC): 20 °C, 1000 W/m², wind speed 1m/s, AM 1.5

AI FRAME SECTION VIEW DEPENDENCE ON TEMPERATURE DEPENDENCE ON IRRADIANCE

